

**SECTION 11110****TUMBLE DRYER, 35 LB. (15.9 KG) CAPACITY****PART 1 GENERAL**

## 1.01 SECTION INCLUDES:

- A. Automatic laundry dryer for processing water-washed linen items

## 1.02 SYSTEM DESCRIPTION

## A. DESIGN REQUIREMENTS:

1. Dry weight capacity: 35 lb. (15.9 kg)
2. Cylinder volume: 12.27 cu ft (347448 cu cm) minimum
3. Construction: Heavy duty embossed steel with e-coat and baked enamel powder paint
4. Input voltage: 120/208-240/60/1
5. Heat source: Gas, natural, 1/2 inch (13 mm) NPT
6. Overall width: 31-1/2 inches (800 mm) nominal
7. Overall height: 63-7/8 inches (1622 mm) nominal
8. Overall depth: 46-7/8 inches (1191 mm) nominal
9. Exhaust size: 8 inch (203 mm)
10. Control system: Dual timers for drying and cooldown, along with variable temperature settings
11. Stainless steel door: High grade stainless steel door with 7/8 inch (22 mm) rubber gasket and heavy duty hinge

## B. PERFORMANCE REQUIREMENTS:

1. BTU input: 90,000
2. Airflow: 650 CFM (18.4 CMM)
3. Motor horsepower: 1/4 hp
4. Control system
  - a. timer for drying 1 - 60 minutes
  - b. timer for cooldown 1 - 15 minutes
  - c. variable temperature settings from 120 - 190°F (49 - 88°C)
  - d. digital display of time remaining in cycle
  - e. wrinkle free cycle for maximum 1 hour or until door opens
5. Lint filter: 480 sq. inch (3097 sq. cm), self cleaning, depositing lint to large storage area at bottom of tumbler

## 1.03 DELIVERY, STORAGE &amp; HANDLING

## A. ACCEPTANCE AT SITE:

1. Inspect machine for damage prior to acceptance. If damage is found, follow freight handler's procedure for claims.

## B. STORAGE &amp; PROTECTION

1. Machine should be stored in a site protected from weather, direct sunlight & temperature extremes. Do not remove packaging prior to storage.

2. If machine is to be stored for an extended period of time, consult manufacturer for special requirements.

1.04 WARRANTY

- A. Warranty Period: Three years, limited, parts only, commencing on Date of Substantial completion

1.05 SYSTEM STARTUP & COMMISSIONING

- A. Machine installation should be inspected by local manufacturer's representative prior to startup & operation. The party installing the machine is responsible for setting the schedule for this inspection.

**PART 2 PRODUCTS**

- A. Source quality
- B. Alliance Laundry Systems LLC - UniMac, obtain commercial laundry equipment from a single manufacturer

1.02 QUALIFIED MODELS

- A. UniMac model **UT035NQT** (no substitutions permitted)

**PART 3 EXECUTION**

1.01 INSTALLATION

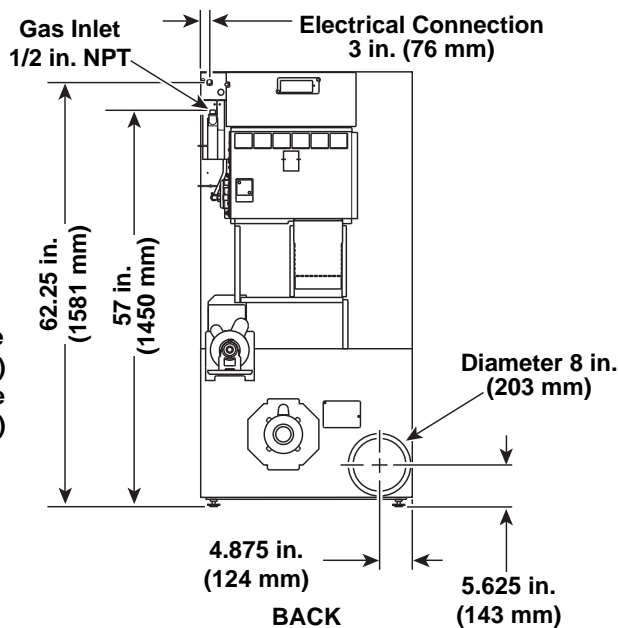
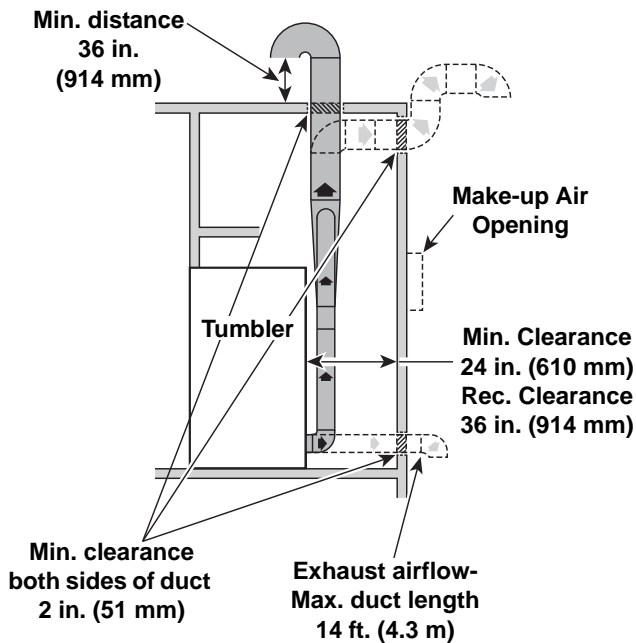
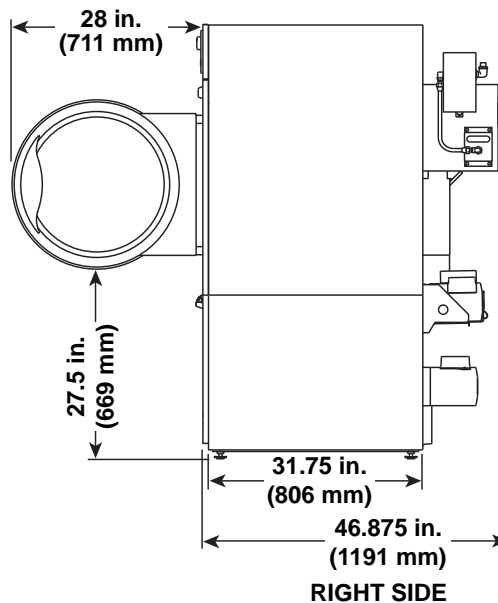
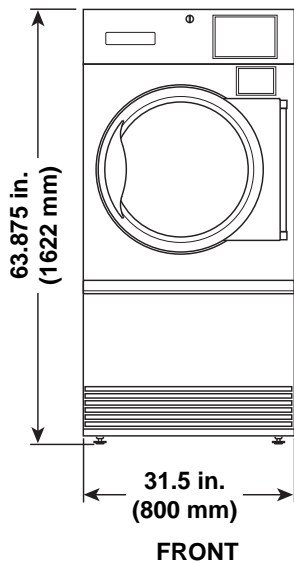
- A. Refer to & comply with manufacturer's installation instructions. Do not deviate without permission from site owner, architect, general contractor & manufacturer's local representative.



# Machine Dimensions and Specifications

Models UT035L and UT035N

## Dimensions



TMB28F

## Specifications

Net Weight	360 lbs.
Make-up Air Opening	144 sq. in.
Maximum Airflow per Pocket: C.F.M.	650
Maximum Static Back Pressure: Inches W.C.	0.6
Gas Burner Rating:	90,000 Btu/hr

## Electrical Specifications

Code	Voltage	Cycle	Phase	Wire	Full Load Amps	Fuse or Breaker Rating (Amps)	Breaker Poles	AWG
B2	120	60	1	2/3	12	15	1	14
F6	200-208, 240	60	3	3	3.2	10*	3	14
G2	208-240	60	1	2/3	6.7	10	2	14
Q1	460-480	60	3	3	1.6	10*	3	14

\* 3 Phase machines should not have fuses, breakers only.